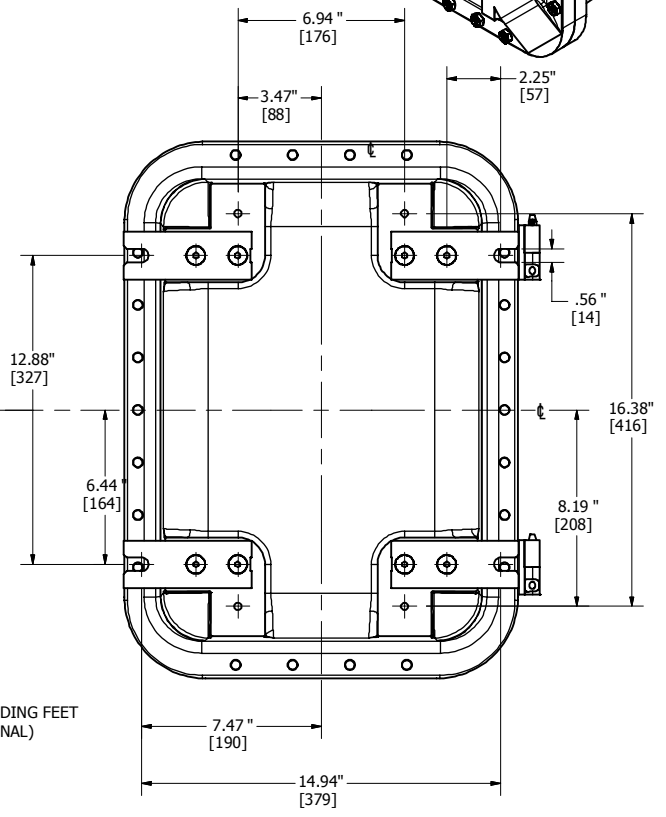
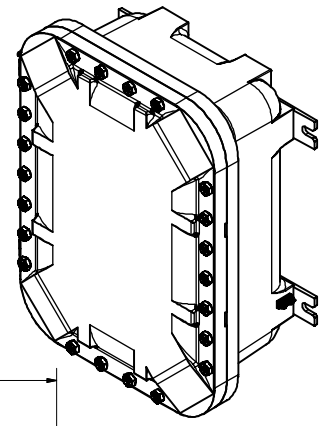


GROUNDING FEET
(OPTIONAL)



MOUNTING FEET



EXB-12186